


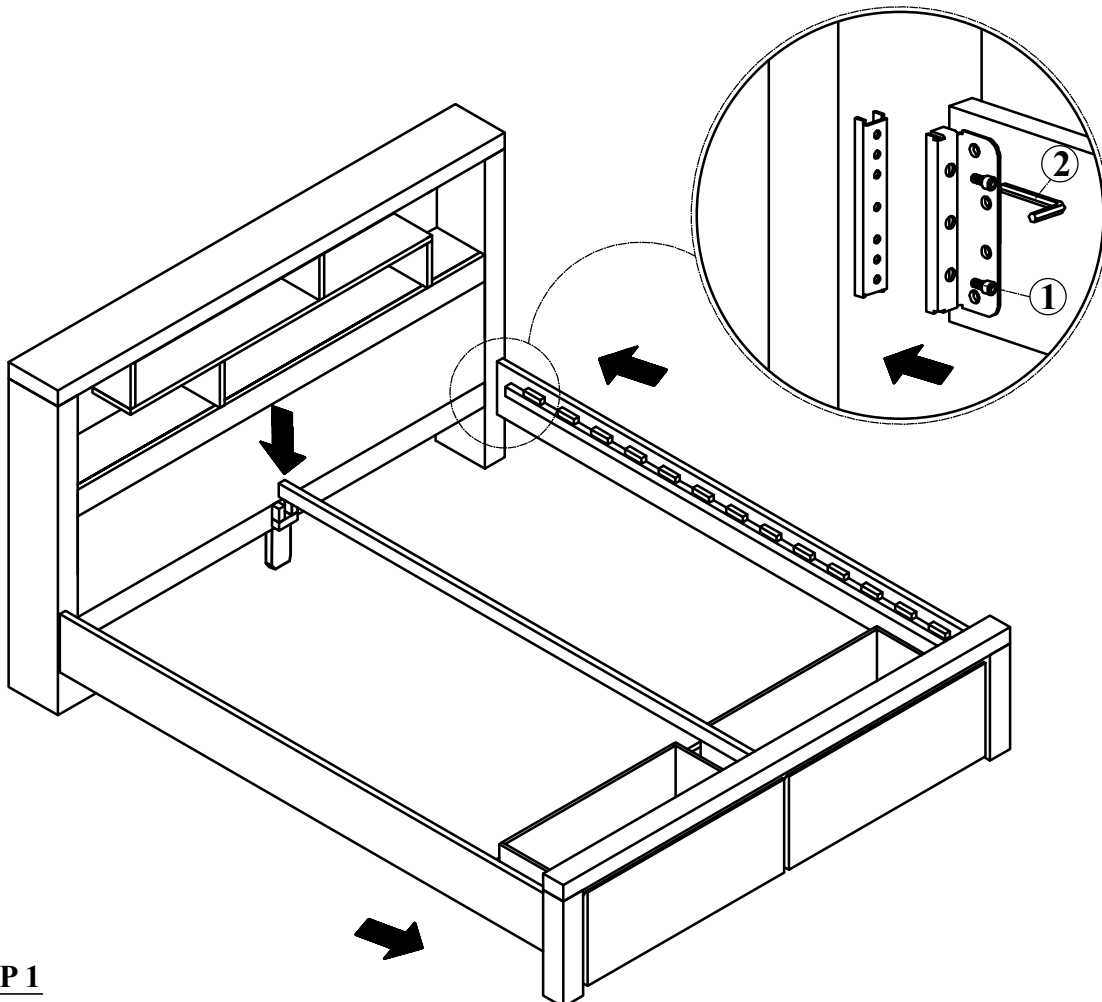
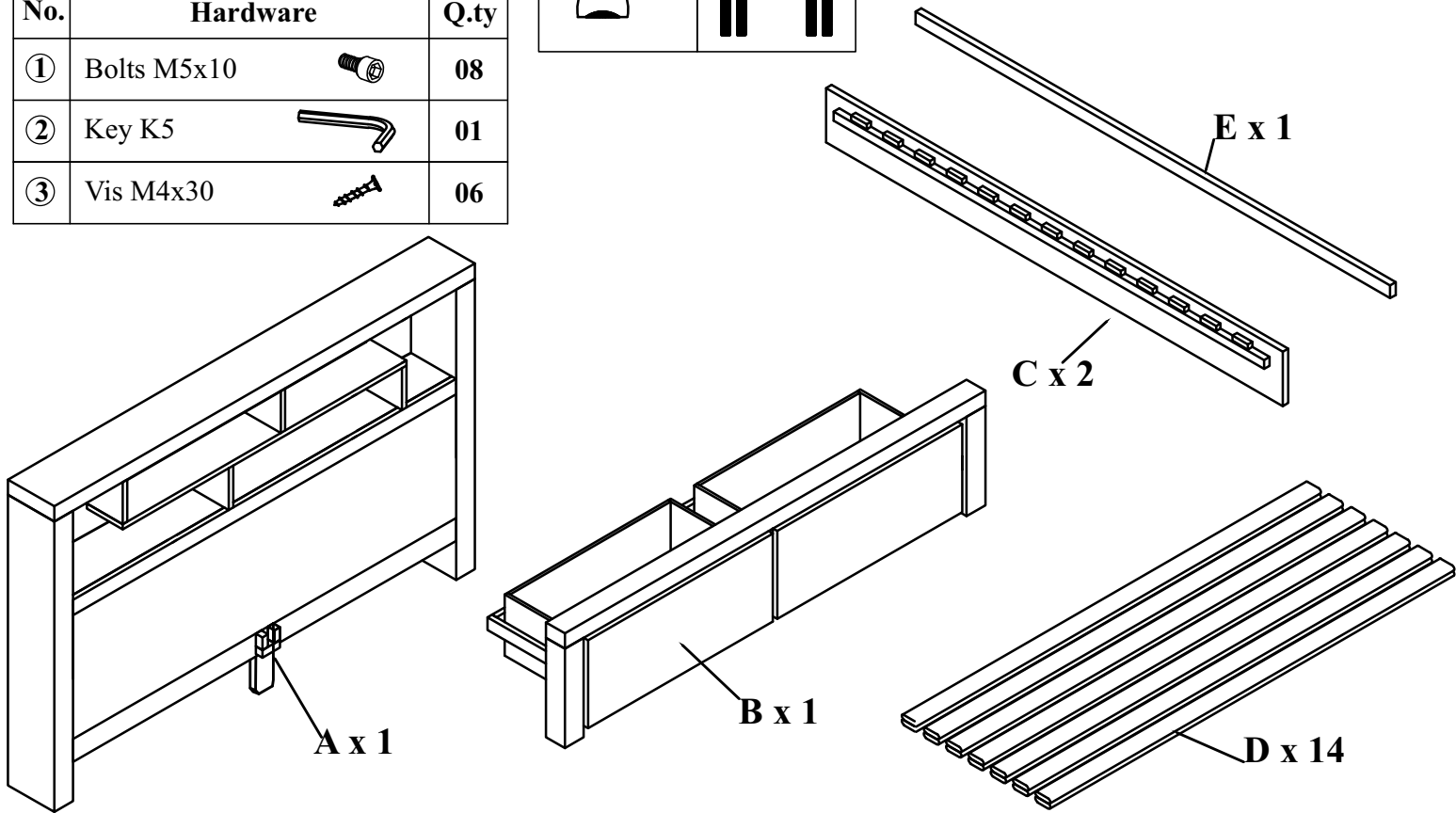
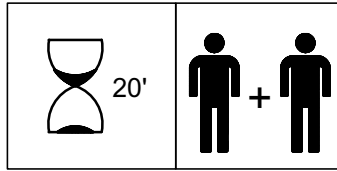


ASSEMBLY INSTRUCTIONS

MICASA 2 STORAGE QUEEN BED

HARDWARE FOR WOODEN

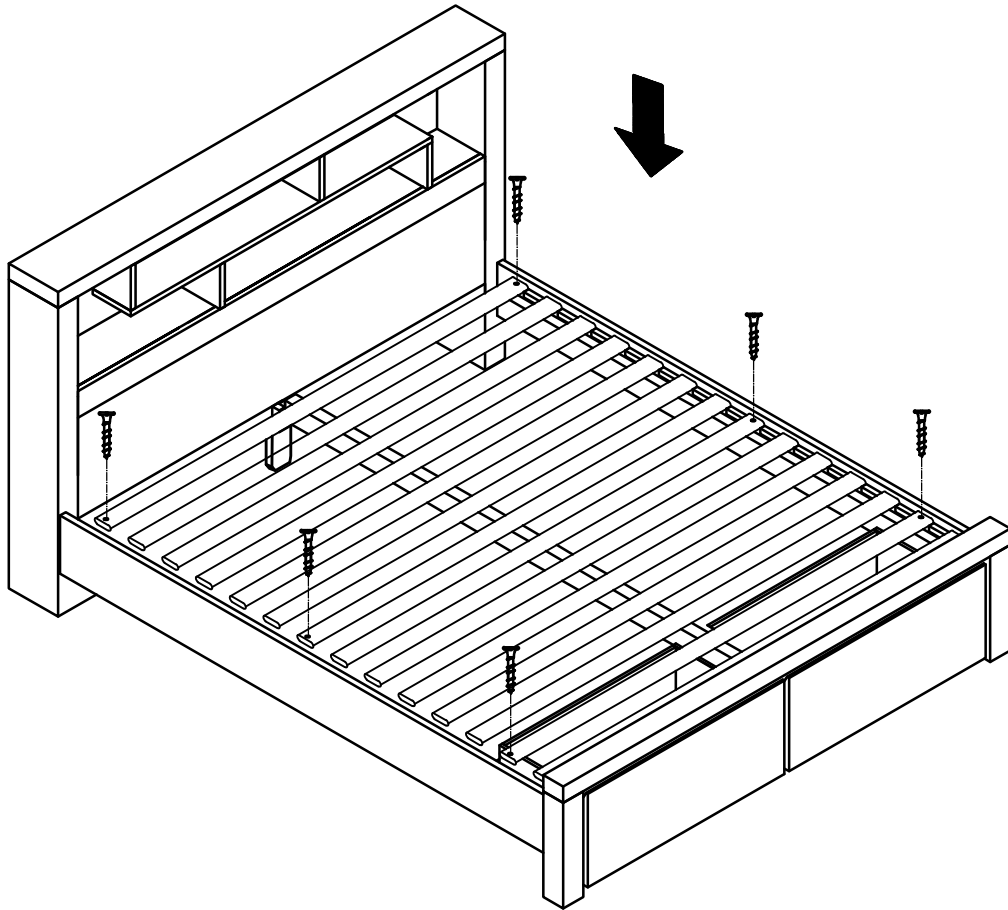
No.	Hardware	Q.ty
①	Bolts M5x10 	08
②	Key K5 	01
③	Vis M4x30 	06



STEP 1

ASSEMBLY INSTRUCTIONS

MICASA 2 STORAGE QUEEN BED



STEP 2

